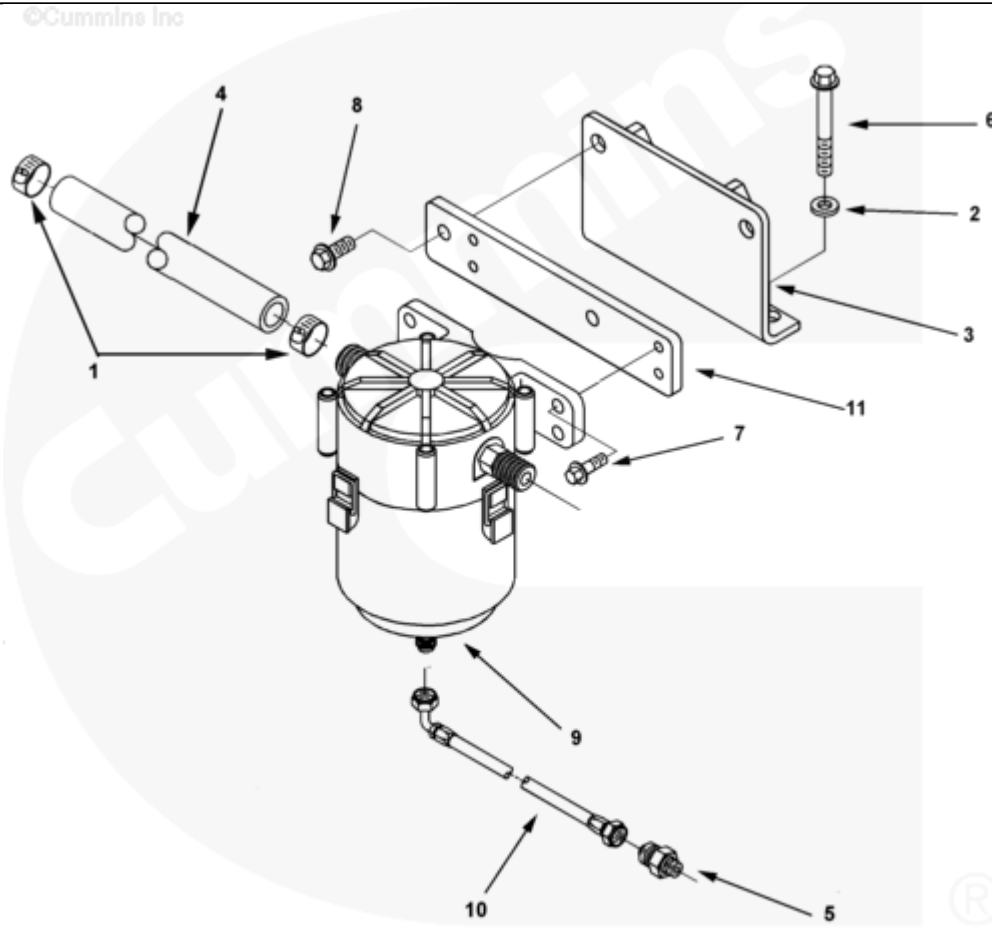




Parts Catalog - Option Detail

Electronic Parts Catalog - Option Detail				
Option	Group	Graphic	Film Card	Date
BR2049-02	03.02	br200gp	II	27-SEP-99
Engines	ISM CM570, ISM CM570/870, ISM CM875, ISM CM876, ISM CM876 E, ISM11 CM876 M103, ISM11 CM876 SN, M11 CELECT, M11 CELECT PLUS, M11 MECHANICAL, QSM11 CM570, QSM11 CM876			



br200gp

[SMALL](#) | [MEDIUM](#) | [LARGE](#)

Cart	Ref No	Part Number	Part Description	Required	Remarks
View My Cart					
		BR2049-02	Crankcase Breather		
					Crankcase Breather

					Mounting Arrangement:
					External
					Vent Location: Side
					Vent Tube Routing: Customer
					Supplied
					Breather System: Closed
					Breather Tube for Connection
					to Closed Crankcase Breather
					System
<input type="checkbox"/>	1	210753	Hose Clamp	2	9/16 - 1 1/4 inch
<input type="checkbox"/>	2	3328328	Sealing Washer	2	M10
<input type="checkbox"/>	3	3606976	Breather Bracket	1	
<input type="checkbox"/>	4	4019816	Plain Hose	1	
<input type="checkbox"/>	5	3607269	Check Valve	1	
<input type="checkbox"/>	6	3896408	Hexagon Flange Head Cap Screw	2	M10 x 1.50 x 80
<input type="checkbox"/>	7	3900631	Hexagon Flange Head Cap Screw	4	M8 X 1.25 X 25.
<input type="checkbox"/>	8	3902460	Hexagon Flange Head Cap Screw	2	M10 X 1.50 X 25.
<input type="checkbox"/>	9	4003250	Crankcase Breather	1	
<input type="checkbox"/>	10	4003263	Flexible Hose	1	CCV Oil Drain To HHC
<input type="checkbox"/>	11	4019570	Breather Bracket	1	
<input type="checkbox"/>		4019745	Breather Element	1	
<input type="checkbox"/>		4019746	Head Assembly	1	
<input type="checkbox"/>		4019747	Head Assembly	1	
<input type="checkbox"/>		4019748	Bypass Indicator	1	
<input type="checkbox"/>		4019833	Inlet Fitting	1	
<input type="checkbox"/>		4019834	Outlet Fitting	1	

